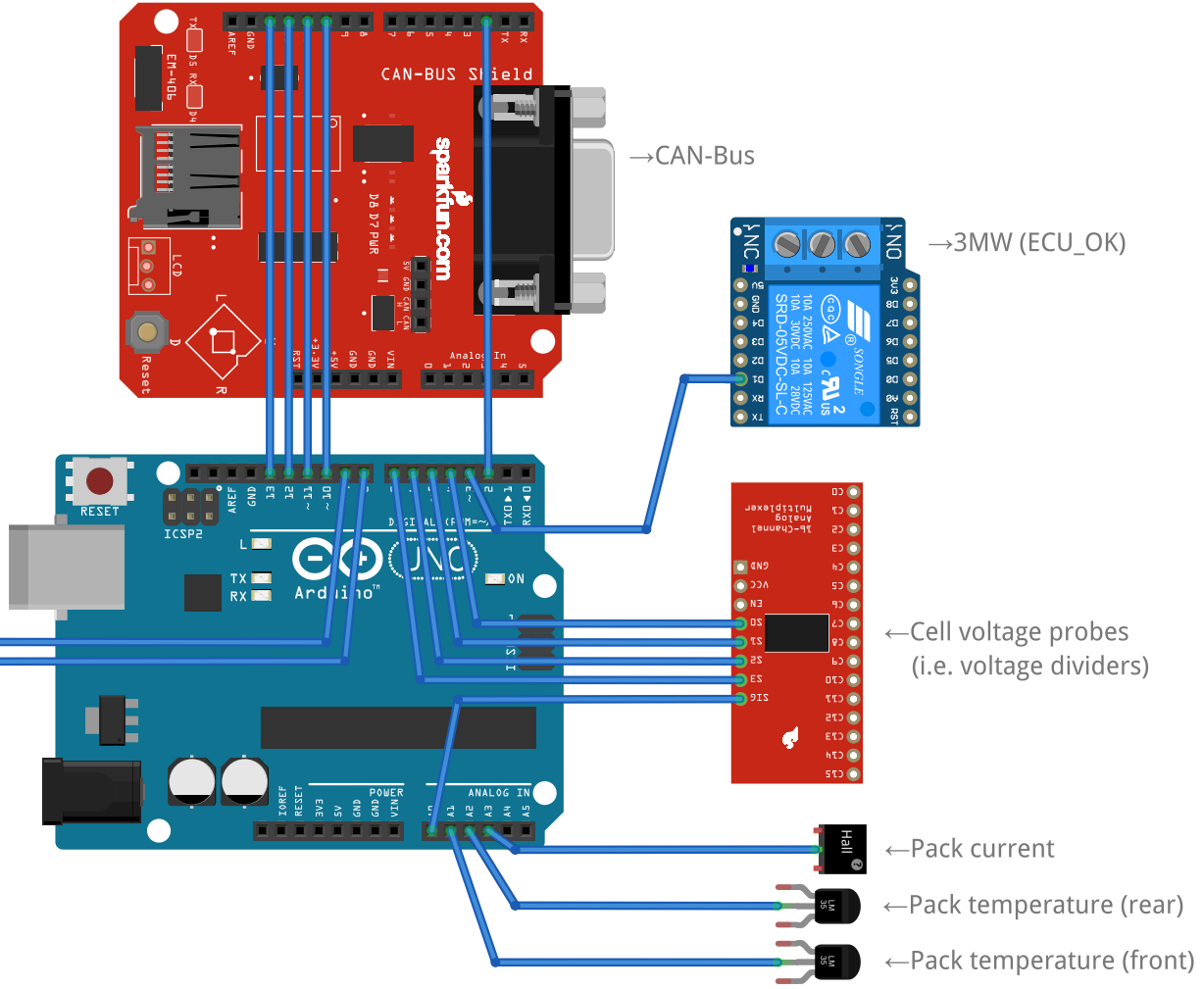
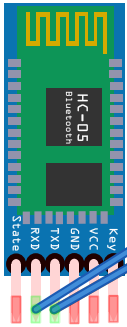


Bluetooth



→CAN-Bus

→3MW (ECU\_OK)

← Cell voltage probes (i.e. voltage dividers)

←Pack current

←Pack temperature (rear)

←Pack temperature (front)