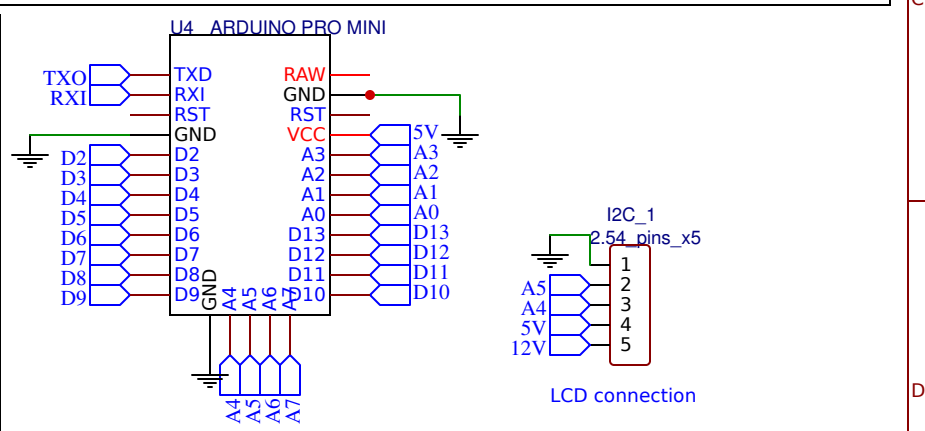
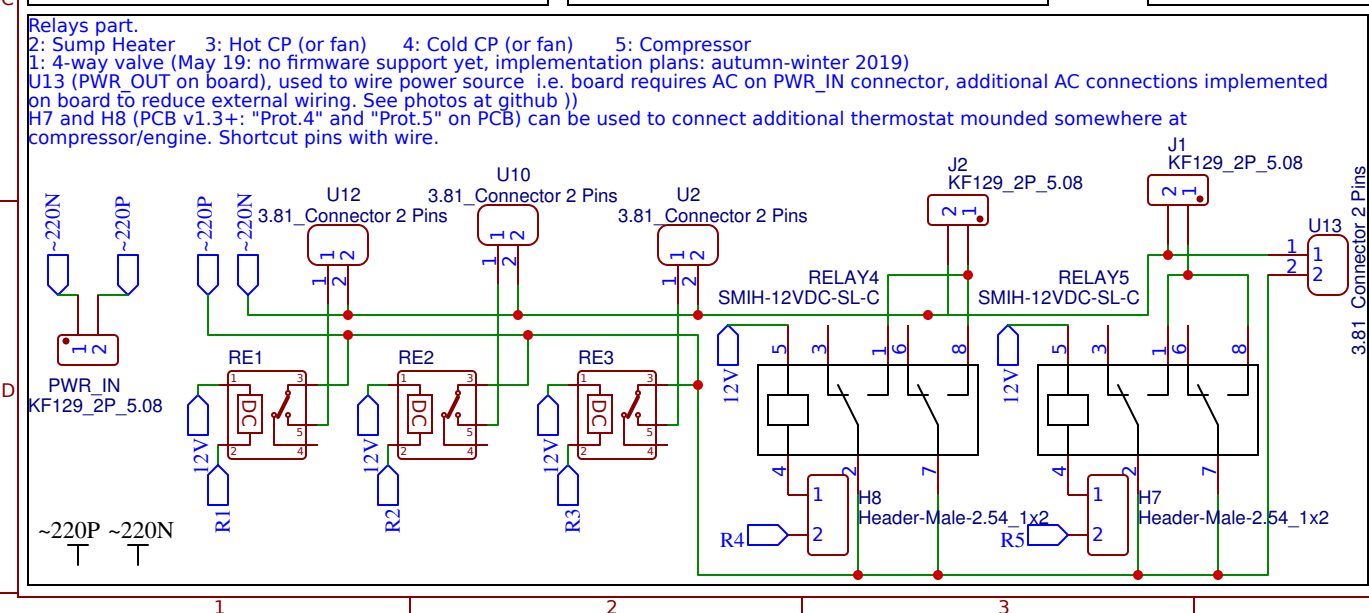
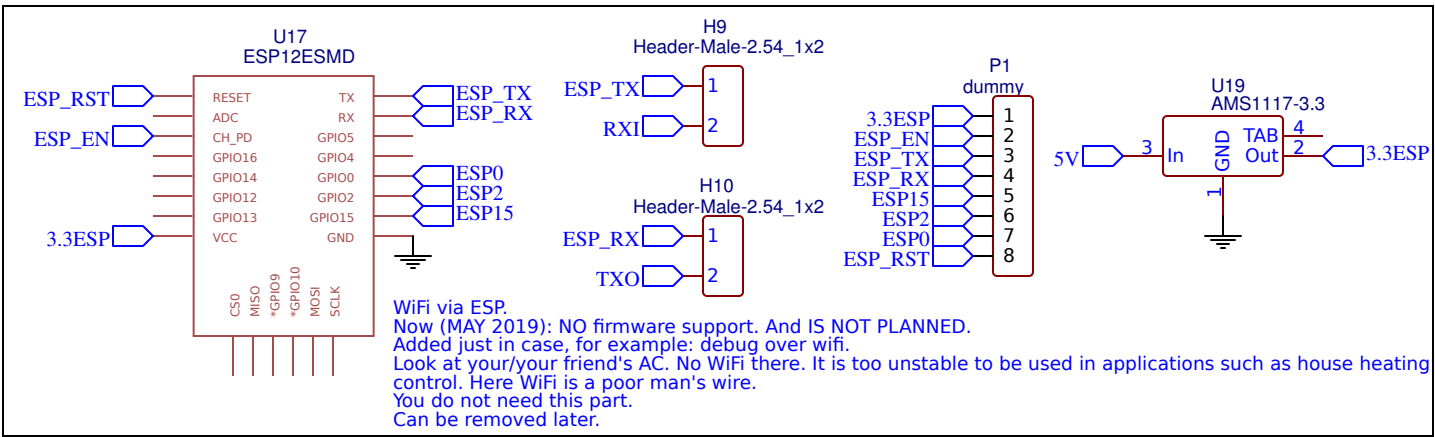
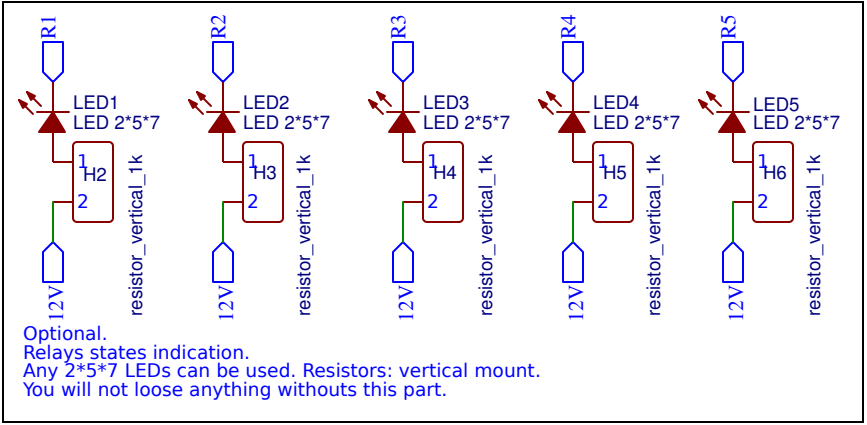
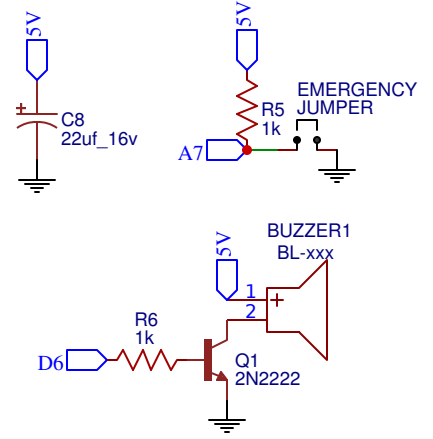
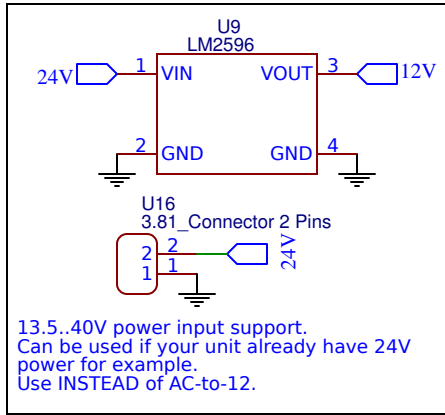
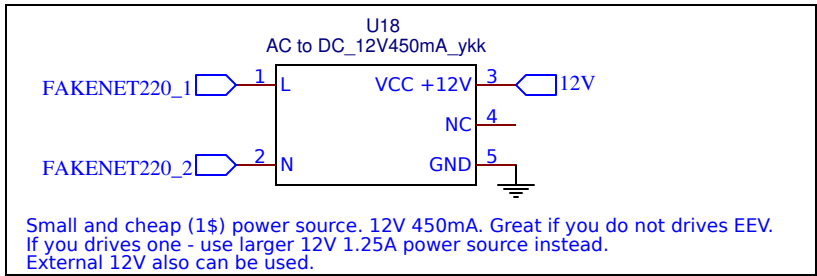


Inputs.
 A1, A2 and A3 designed to be OR inputs from external sources OR buttons.
 Buttons: 6x6mm used, pull down resistor required.
 May 2019: no need for external signals yet, this part used only with "INPUTS_AS_BUTTONS" option



TITLE: Cheap Heat Pump Controller PCB v1.3		REV: 1.3
Company: https://github.com/gonzho000/chpc/		Sheet: 1/1
Date: 2019-05-04	Drawn By: gonzho	



TITLE: Cheap Heat Pump Controller PCB v1.3		REV: 1.3
Company: https://github.com/gonzho000/chpc/		Sheet: 1/1
Date: 2019-05-04	Drawn By: gonzho	